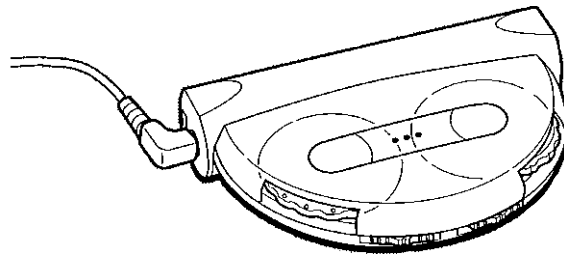


CR-LA111 YZ1(L, D)



SERVICE MANUAL

STEREO RADIO RECEIVER

SPECIFICATIONS

Frequency range	FM: 87.5 – 108 MHz
Maximum output	4 mW + 4 mW (EIAJ 32 ohms)
Power source	DC 1.5 V using an R03 (size AAA) battery
Output	Headphones jack (Stereo mini jack)
Maximum outside dimensions	70.3 (W) × 49.5 (H) × 16.5 (D) mm (excluding projecting parts and controls)
Weight	Approx. 25 g (excluding battery)
Supplied headphones HP-M029	Type: In-ear type Impedance: 32 ohms Sensitivity: 95 dB/mW
Recommended commercially available headphones	Type: In-ear type Impedance: 32 ohms Sensitivity: 95 dB/mW or less

- Design and specifications are subject to change without notice.

ELECTRICAL MAIN PARTS LIST-1/1

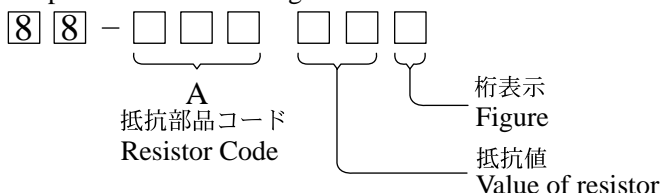
REF. NO	PART NO.	KANRI NO.	DESCRIPTION	REF. NO	PART NO.	KANRI NO.	DESCRIPTION
IC				C23	87-010-787-080		CAP, U 0.022-25
	87-001-815-080	IC,TA7371AF		C25	87-010-759-080		C-CAP,U, 0.1-25F
	87-A20-076-040	C-IC,TA2022AFN		C26	87-010-759-080		C-CAP,U, 0.1-25F
	87-A21-126-040	C-IC,NJM2096M		C27	87-A10-707-080		C-CAP,U 0.47U-16 F Z
				C28	87-A10-707-080		C-CAP,U 0.47U-16 F Z
TRANSISTOR				C29	87-012-278-080		C-CAP,U 2200P-50 B
	89-327-143-080	TR,2SC2714 (0.1W)		C30	87-012-278-080		C-CAP,U 2200P-50 B
	89-115-865-080	C-TR,2SA1586GR		C31	87-A10-707-080		C-CAP,U 0.47U-16 F Z
				C33	87-010-587-010		C-CAP 100-2
				C34	87-A10-707-080		C-CAP,U 0.47U-16 F Z
MAINC.B				C35	87-010-787-080		CAP, U 0.022-25
BPF1	8A-RCE-613-010	FLTR,GFMB5 88-108		C36	87-010-587-010		C-CAP 100-2
C1	87-012-179-080	C-CAP,U 20P-50 CH		C37	87-010-587-010		C-CAP 100-2
C2	87-012-178-080	C-CAP,U 18P-50 J CH		C40	87-010-787-080		CAP, U 0.022-25
C3	87-012-186-080	C-CAP,U 39P-50 CH		C41	87-010-787-080		CAP, U 0.022-25
C4	87-012-286-080	CAP, U 0.01-25		CF1	8A-RCE-618-010		FLTR,SFT10.7 MS23H-A
C5	87-012-165-080	CAP 3P		CF2	8A-RCE-617-010		FLTR,CDA10.7 MG18-A
C6	87-012-286-080	CAP, U 0.01-25		J1	8A-RCE-611-010		JACK,3.5 ST W/O SW
C7	87-010-787-080	CAP, U 0.022-25		L1	8B-RCF-602-010		COIL,FM-RF
C8	87-A10-707-080	C-CAP,U 0.47U-16 F Z		L2	8B-RCF-603-010		COIL,FM-OSC
C10	87-010-403-010	CAP,E 3.3-50 M SME		L3	87-005-894-080		C-COIL,S 1.0UH K
C12	87-012-271-080	CAP, U 560P-50		L4	87-005-894-080		C-COIL,S 1.0UH K
C14	87-010-759-080	C-CAP,U, 0.1-25F		L5	87-005-910-080		C-COIL,S 22UH M LK2125
C15	87-A10-707-080	C-CAP,U 0.47U-16 F Z		L6	87-005-894-080		C-COIL,S 1.0UH K
C16	87-010-759-080	C-CAP,U, 0.1-25F		PVC1	8B-RCF-604-010		TUN-CAP, BRC-15
C17	87-012-273-080	C-CAP,U 820P-50 B		SW1	8A-RCE-609-010		SW,2-2
C18	87-010-757-080	C.CAP,U 0.047-25F		SW2	8A-RCE-609-010		SW,2-2
C19	87-010-759-080	C-CAP,U, 0.1-25F		T1	8B-RCE-604-010		COIL,FM IFT
C20	87-012-284-080	C-CAP,U 6800P-50 K B GRM		TC1	8B-RCF-605-010		TRIMMER,CER 10P BRC-15
C21	87-012-284-080	C-CAP,U 6800P-50 K B GRM		TC2	8B-RCF-605-010		TRIMMER,CER 10P BRC-15
C22	87-010-503-010	CAP,E 220-4 GAS		VR1	8A-RCE-608-010		VR,RTRY 50KX2 H
				VR2	8B-RCF-606-010		C-SFR,15K

- Regarding connectors, they are not stocked as they are not the initial order items.
The connectors are available after they are supplied from connector manufacturers upon the order is received.

チップ抵抗部品コード/CHIP RESISTOR PART CODE

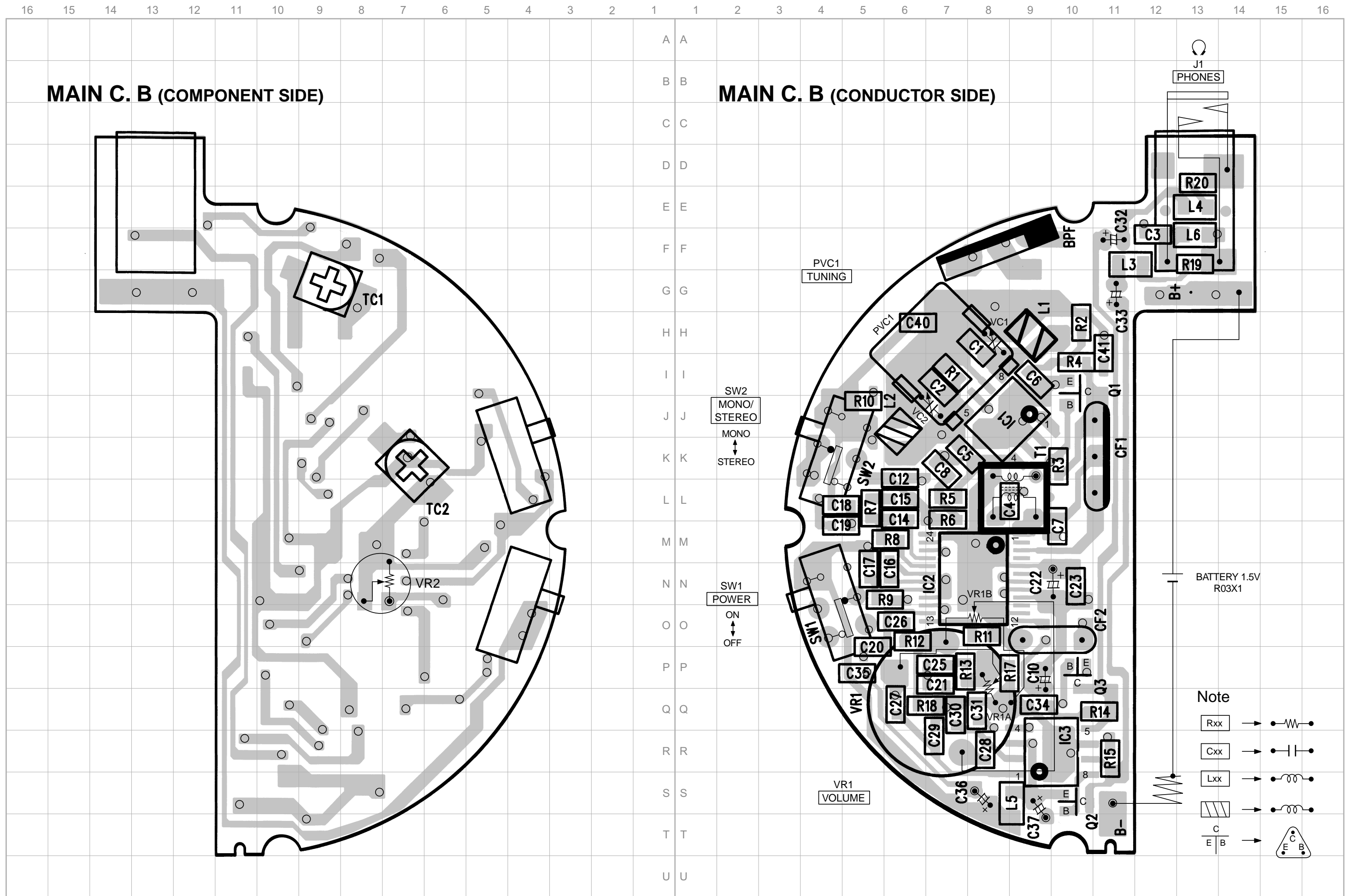
チップ抵抗部品コードの成り立ち

Chip Resistor Part Coding



チップ抵抗 Chip resistor

容量 Wattage	種類 Type	許容誤差 Tolerance	記号 Symbol	寸法/Dimensions (mm)			抵抗コード : A Resistor Code : A	
				外形/Form	L	W		t
1/16W	1005	± 5%	CJ		1.0	0.5	0.35	104
1/16W	1608	± 5%	CJ		1.6	0.8	0.45	108
1/10W	2125	± 5%	CJ		2	1.25	0.45	118
1/8W	3216	± 5%	CJ		3.2	1.6	0.55	128



MAIN C. B (COMPONENT SIDE)

MAIN C. B (CONDUCTOR SIDE)

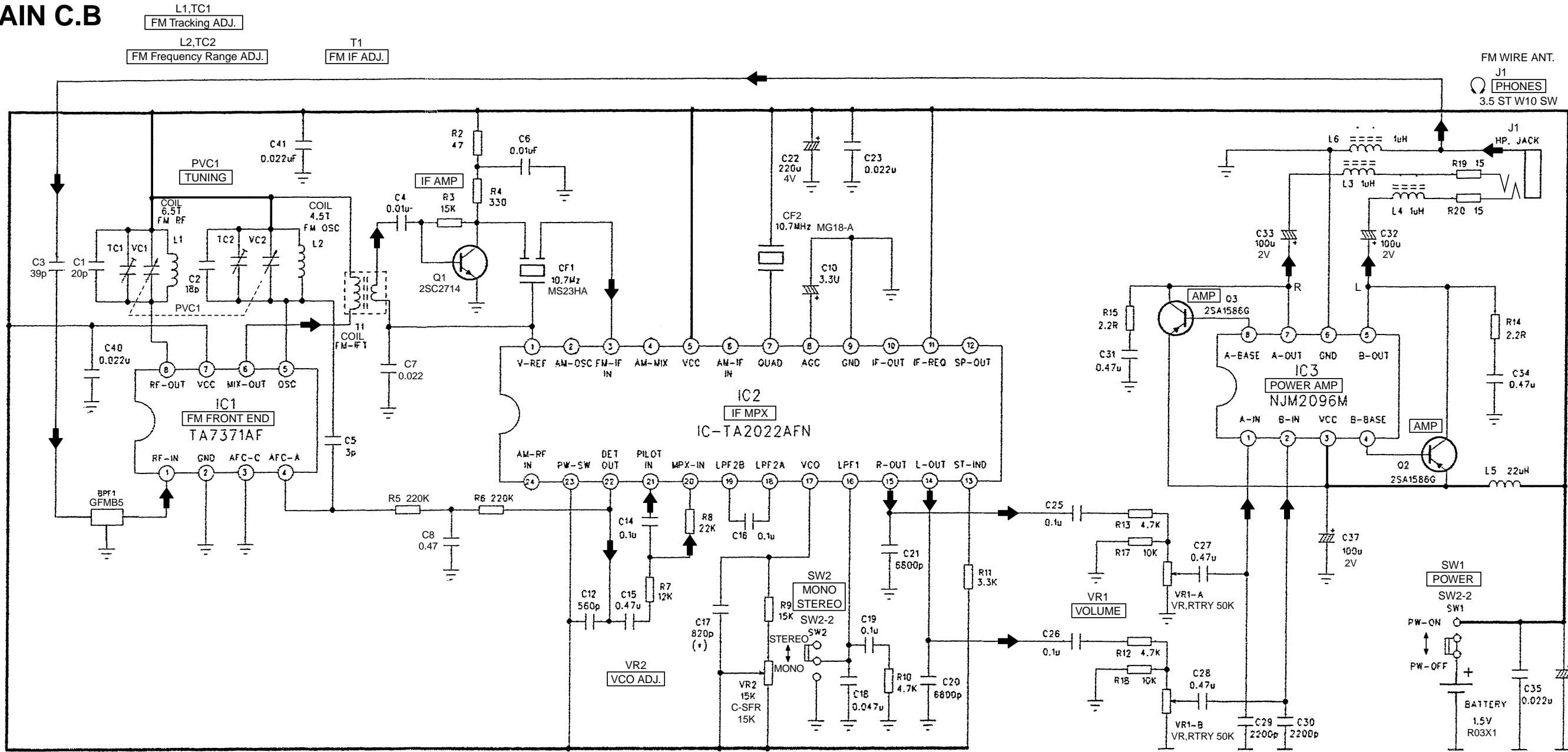
SW2
MONO/
STEREO
MONO
↕
STEREO

SW1
POWER
ON
↕
OFF

Note

- Rxx → [Resistor symbol]
- Cxx → [Capacitor symbol]
- Lxx → [Inductor symbol]
- [Diode symbol]
- [Transistor symbol]
- $\frac{C}{E/B}$ → [Triode symbol]

MAIN C.B



IC PIN VOLTAGE

TA2022AFN

IC2	1	2	3	4	5	6	7	8	9	10	11	12
FM	0.9	1.36	0.9	-	1.36	1.36	1.36	-	0	-	1.36	-

TA2022AFN

IC2	13	14	15	16	17	18	19	20	21	22	23	24
FM	-	0.55	0.55	-	1.26	-	-	0.1	0.1	0.1	1.36	0

TA7371AF

IC1	1	2	3	4	5	6	7	8
FM	0.7	0	0	0.8	1.36	1.36	1.36	1.36

2SA1586G

Q2,Q3	E	C	B
ON	1.48	1.36	0.8

NJM2096M

IC3	1	2	3	4	5	6	7	8
ON	0	0	1.48	0.8	0.7	0	0.7	0.85

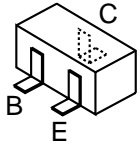
2SC2714

Q1	E	C	B
FM	0	0.7	0.7

THE SCHEMATIC'S DIAGRAM MAY BE CHANGE FOR IMPROVMENT WITHOUT PRIOR NOTICE

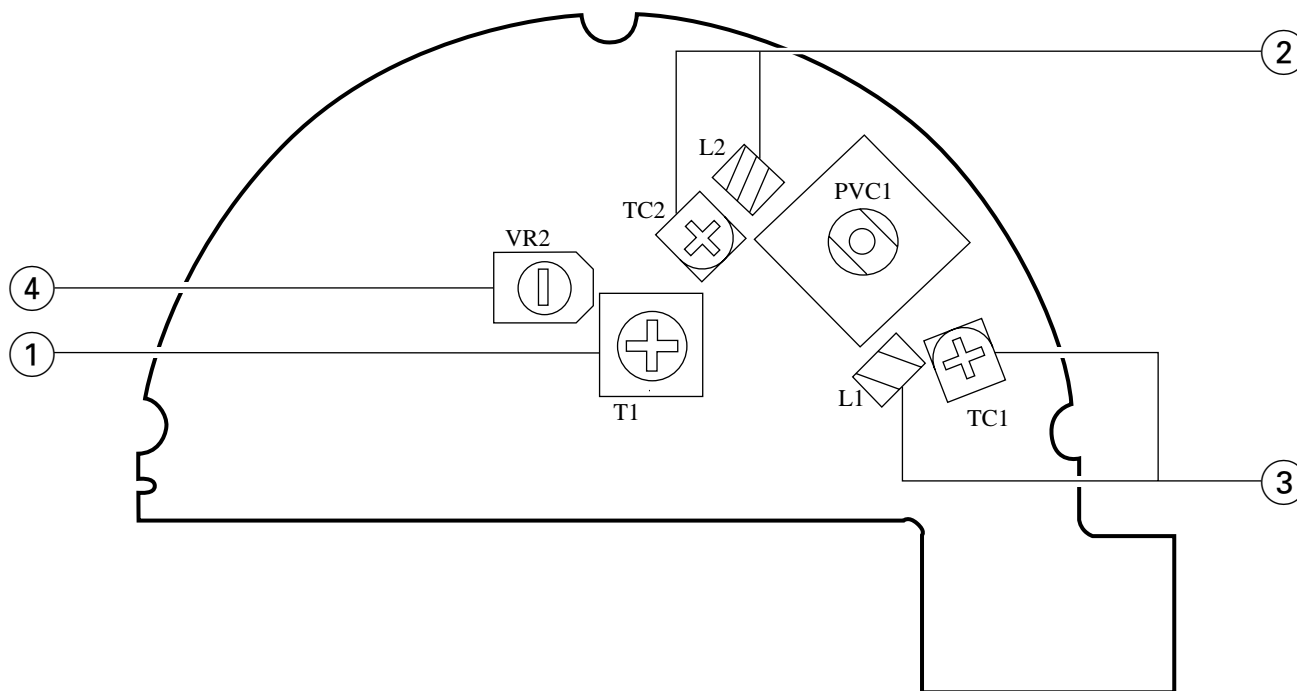
Note
 : FM,PB(ANALOG)

TRANSISTOR ILLUSTRATION-1/1



2SC2714
2SA1586

MAIN C.B (PARTS SIDE)



< TUNER SECTION >

1. FM IF Adjustment

- Settings : • Test point IC2(TA2022AFN)22PIN
 • Adjustment location : T1

T1 10.7MHz

2. FM Frequency Range Adjustment

- Settings : • Test point IC2(TA2022AFN)22PIN
 • Adjustment location : L2,TC2

L2 87.4+0.1/-0.2MHz

TC2 108.3±0.2MHz

3. FM Tracking Adjustment

- Settings : • Test point IC2(TA2022AFN)22PIN
 • Adjustment location : L1,TC1

L1 88MHz

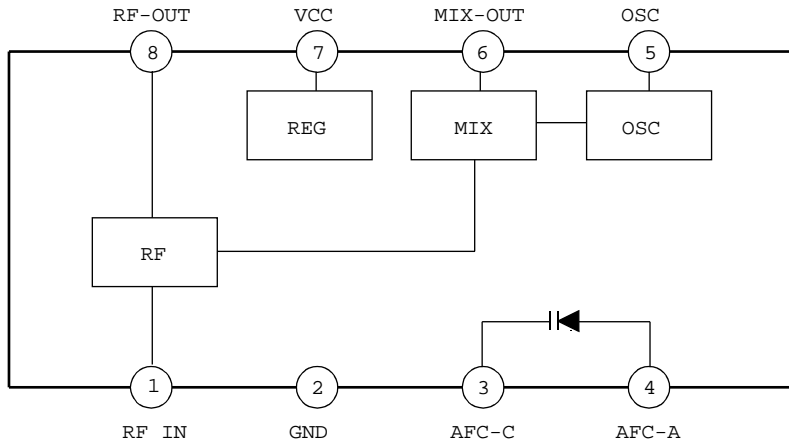
TC1 108 MHz

4. VCO Adjustment

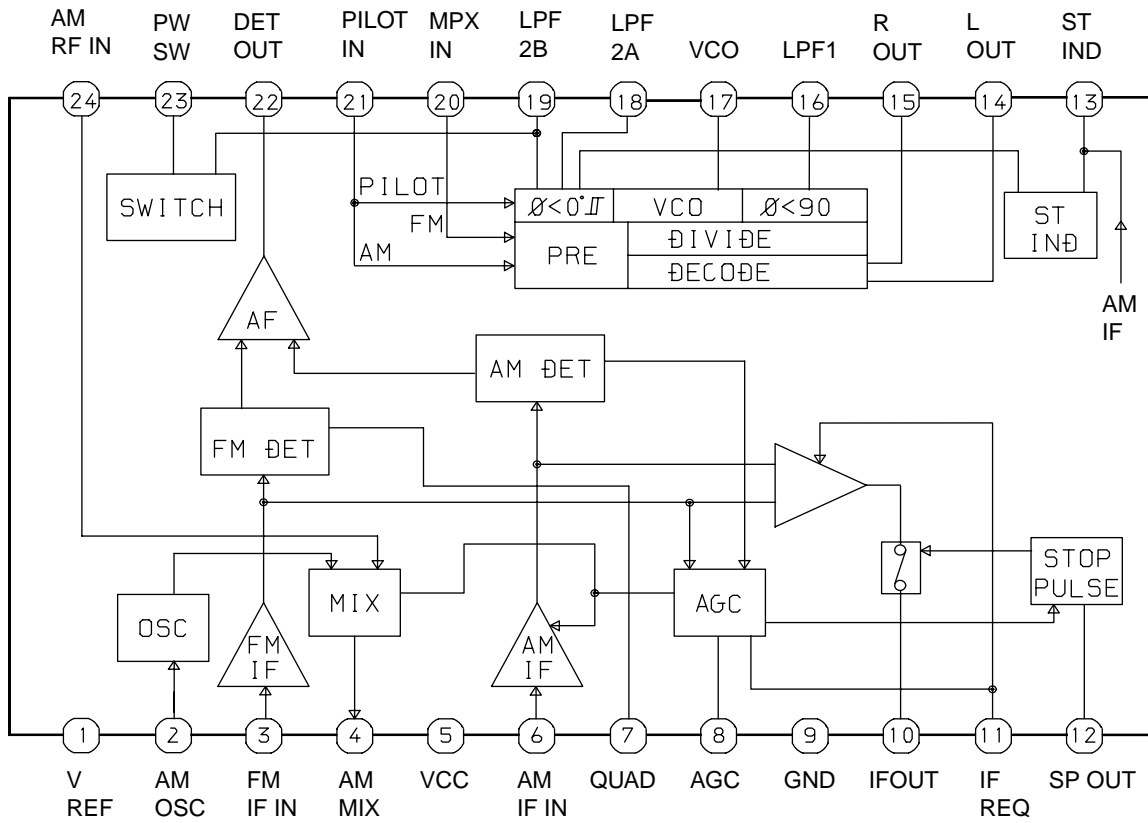
- Settings : • Test point IC2(TA2022AFN)22PIN
 • Adjustment location : VR2

VR2 19kHz

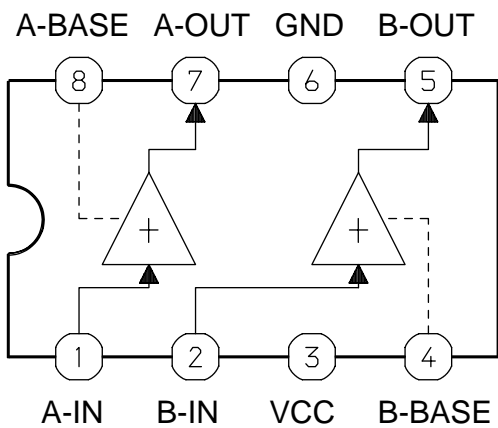
IC BLOCK DIAGRAM-1/1
IC, TA7371AF



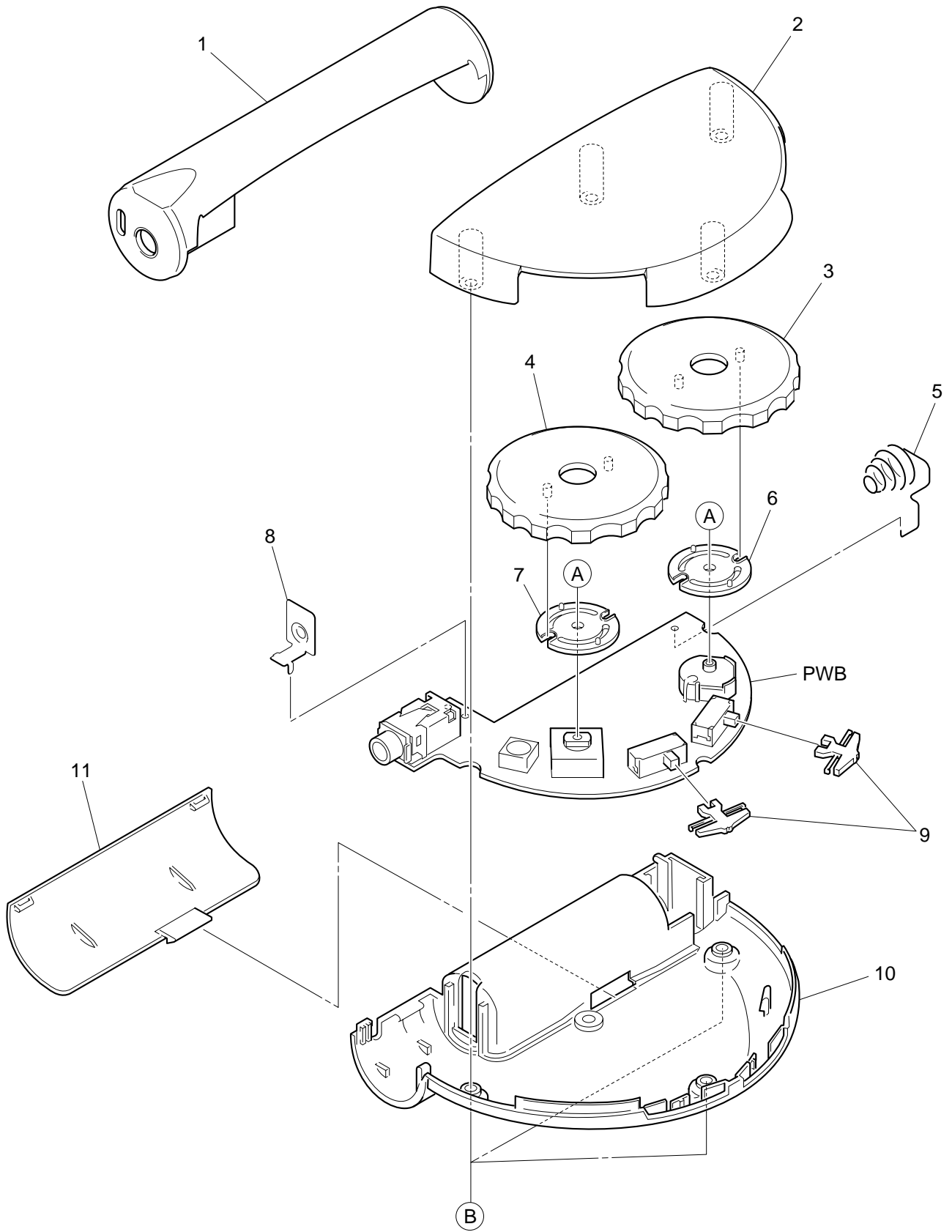
IC, TA2022AFN



IC, NJM2096M



MECHANICAL EXPLODED VIEW-1/1



MECHANICAL PARTS LIST-1/1

REF. NO	PART NO.	KANRI NO.	DESCRIPTION	REF. NO	PART NO.	KANRI NO.	DESCRIPTION
1	8B-RCF-002-010		CABI, TOP	7	8B-RCF-205-010		JOINT, ADAPT TUN D<YZ1DC>
2	8B-RCF-011-010		CABI, COVER TOP D<YZ1DC>	7	8B-RCF-201-010		JOINT, ADAPT TUN L<YZ1LC>
2	8B-RCF-001-010		CABI, COVER TOP L<YZ1LC>	8	8B-RCF-207-010		BAT-CONTACT, (+)
3	8B-RCF-015-010		KNOB, RTRY VOL D<YZ1DC>	9	8B-RCF-007-010		KNOB, SL BAND/POW
3	8B-RCF-006-010		KNOB, RTRY VOL L<YZ1LC>	10	8B-RCF-003-010		CABI, BOTTOM YZ
4	8B-RCF-014-010		KNOB, RTRY TUN YZ D<YZ1DC>	11	8B-RCF-004-010		LID, BATT
4	8B-RCF-005-010		KNOB, RTRY TUN YZ L<YZ1LC>	A	87-262-509-310		V+1.4-4 BLK
5	8B-RCF-208-010		BAT-CONTACT, (-)	B	87-B10-026-010		VT2+1.7-8 CR HL
6	8B-RCF-206-010		JOINT, ADAPT VOL D<YZ1DC>				
6	8B-RCF-202-010		JOINT, ADAPT VOL L<YZ1LC>				

COLOR NAME TABLE

Basic color symbol	Color	Basic color symbol	Color	Basic color symbol	Color
B	Black	C	Cream	D	Orange
G	Green	H	Gray	L	Blue
LT	Transparent Blue	N	Gold	P	Pink
R	Red	S	Silver	ST	Titan Silver
T	Brown	V	Violet	W	White
WT	Transparent White	Y	Yellow	YT	Transparent Yellow
LM	Metallic Blue	LL	Light Blue	GT	Transparent Green
LD	Dark Blue	DT	Transparent Orange	GM	Metallic Green
YM	Metallic Yellow	DM	Metallic Orange	PT	Transparent Pink
LA	Aqua Blue	GL	Light Green	HT	Transparent Gray
HM	Metallic Gray	NH	Champagne Gold	M	Wood Pattern

ACCESSORIES/PACKAGE LIST-1/1

REF. NO	PART NO.	KANRI NO.	DESCRIPTION
1	8B-RCF-906-010		IB, YZ (EDPHNCZ) C
1	8B-RCF-905-010		IB, YZ (EGFSI) C
2	87-B30-445-010		HEADPHONE, HP-M029 (T2BL) <YZ1LC>
2	87-B30-447-010		HEADPHONE, HP-M029 (T2D) <YZ1DC>
3	8B-RCF-050-010		STRAP, NECK

アイワ株式会社 〒110-8710 東京都台東区池之端1-2-11 ☎03(3827)3111 (代表)

AIWA CO.,LTD. 2-11, IKENOHATA 1-CHOME, TAITO-KU, TOKYO 110-8710, JAPAN TEL:03 (3827) 3111